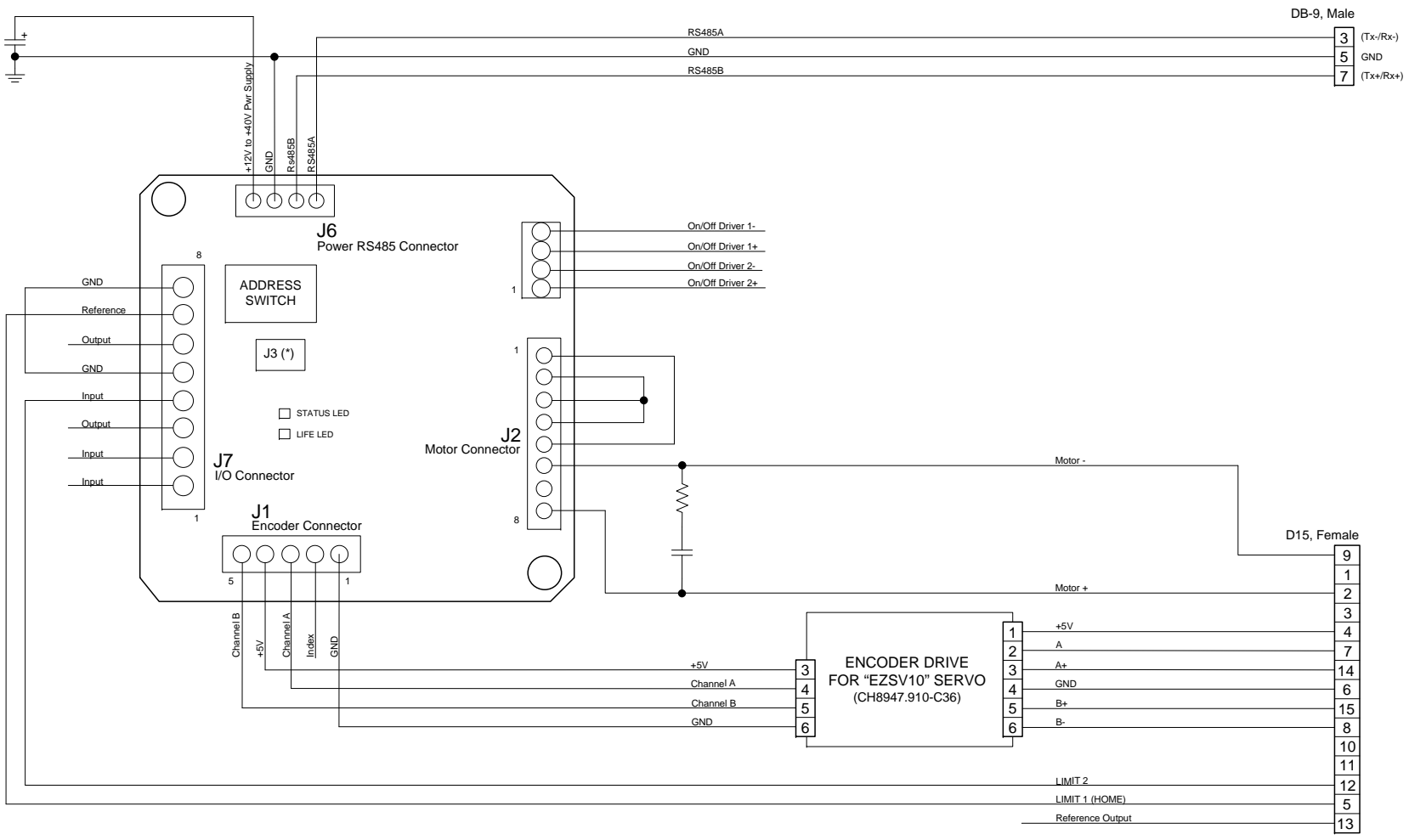


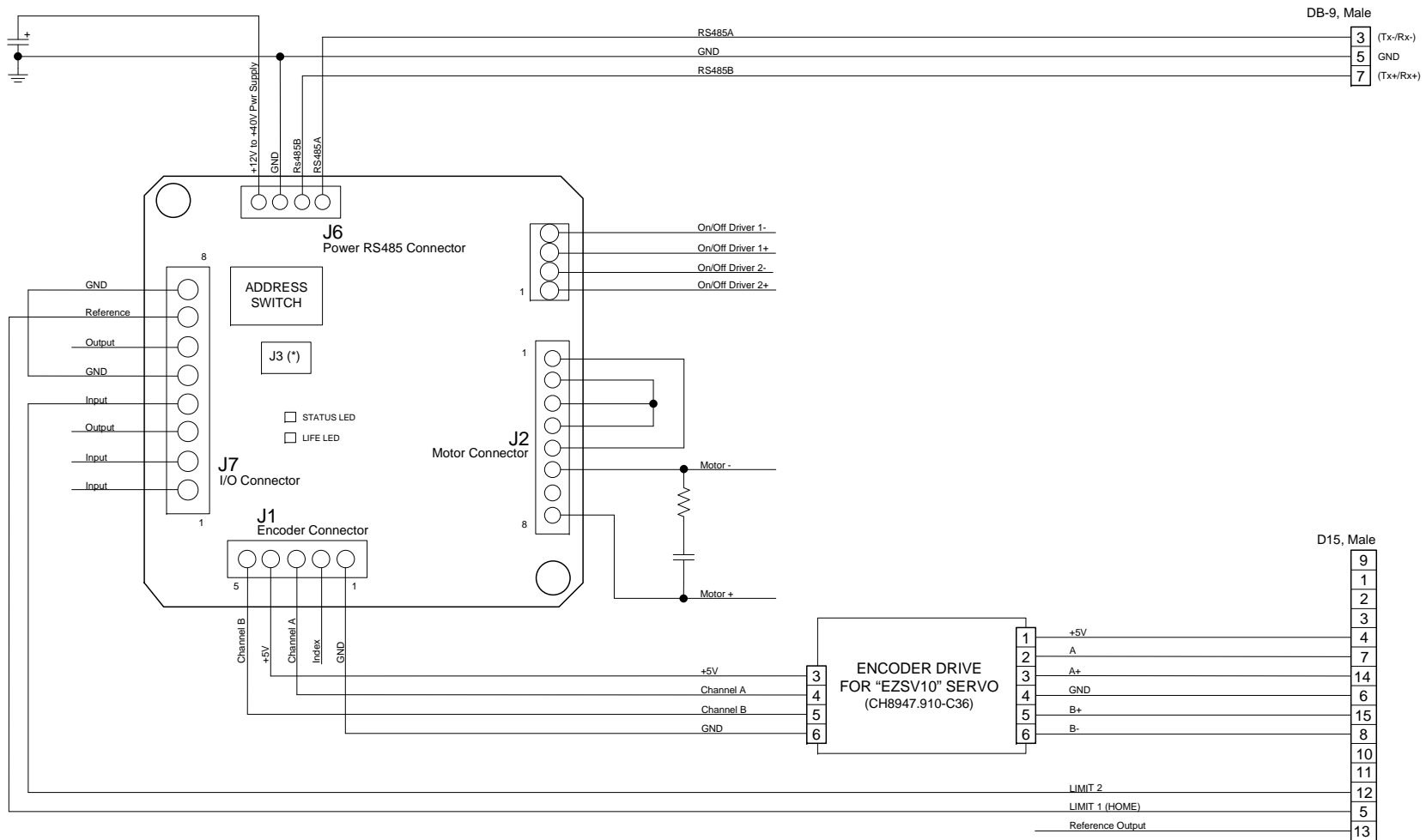
REVISION					
ZONE	LTR	DESCRIPTION	DATE	BY	APVD



(*)= INSTALL SHORTING JUMPER ON J3 FOR 12V-15V OPERATION.
 JUMPER MUST BE REMOVED FOR VOLATGES >15V.

TOLERANCES UNLESS OTHERWISE NOTED			CERRO TOLOLO INTER-AMERICAN OBSERVATORY		
DECIMALS .XX ± .01	FRACTIONS - ±	ANGULAR ± 0'30"	OPERATED BY THE ASSOCIATION OF UNIVERSITIES FOR RESEARCH IN ASTRONOMY UNDER COOPERATIVE AGREEMENT WITH NATIONAL SCIENCE FOUNDATION		
NEXT ASSEMBLY	NAME CHIRON (CCD231-84) -SLICER-		REF FILE C2.vsd	USED ON	
SCALE -	DESIGNED BY MMS/MBB	DATE Nov-2010	APPROVED BY	DATE	DWG N° CH8940.930-C2
PRINT ISSUED	DRAWN BY R. LEIVA V.	DATE Nov-2010	APPROVED BY	DATE	RELEASED DATE November 16, 2010
CHECKED BY	DATE	APPROVED BY	DATE	RELEASED DATE	SHEET 1 OF 1

REVISION					
ZONE	LTR	DESCRIPTION	DATE	BY	APVD



(*)= INSTALL SHORTING JUMPER ON J3 FOR 12V-15V OPERATION.
 JUMPER MUST BE REMOVED FOR VOLATGES >15V.

TOLERANCES UNLESS OTHERWISE NOTED			CERRO TOLOLO INTER-AMERICAN OBSERVATORY		
DECIMALS .XX ± .01 .XXX ± .003	FRACTIONS - ±	ANGULAR ± 0'30"	OPERATED BY THE ASSOCIATION OF UNIVERSITIES FOR RESEARCH IN ASTRONOMY UNDER COOPERATIVE AGREEMENT WITH NATIONAL SCIENCE FOUNDATION		
NEXT ASSEMBLY	NAME	REF FILE	C2.vsd		
	CHIRON (CCD231-84) -FOCUS-	USED ON			
SCALE	DESIGNED BY MMS/MBB	DATE Nov-2010	APPROVED BY	DATE	DWG N°
PRINT ISSUED	DESIGNED BY R. LEIVA V.	DATE Nov-2010	APPROVED BY	DATE	CH8940.930-C2
CHECKED BY	DATE	APPROVED BY	DATE	RELEASED DATE	November 17, 2010
					SHEET 2 OF 2