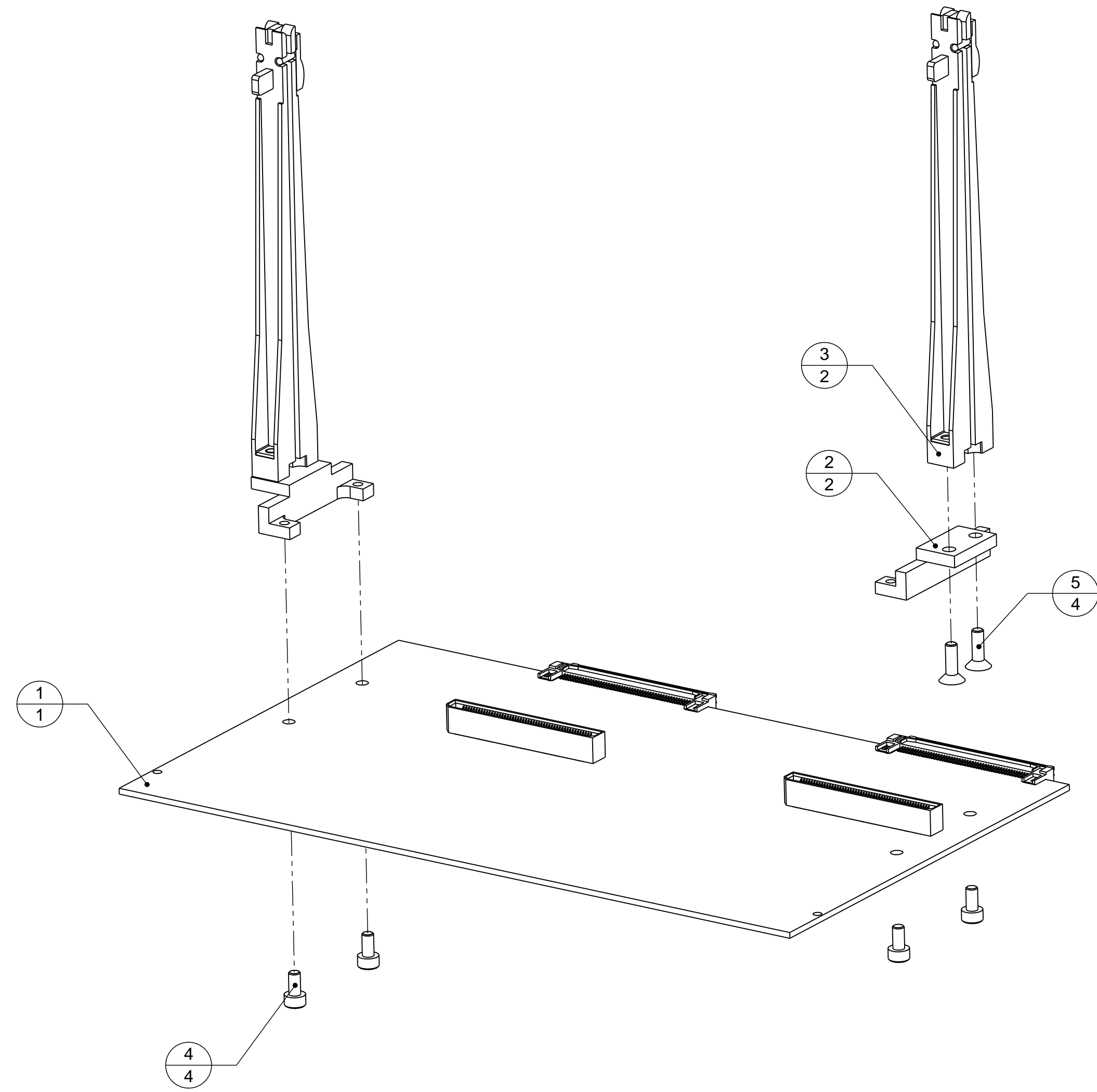


NOTES: UNLESS OTHERWISE SPECIFIED:

1.

ITEM NO.	QTY	PART/ASSY NUMBER	DESCRIPTION	VENDOR
1	1	TRNT-EL-04-0008	AFE EXTENDER BOARD	NOAO
2	2	TRNT-EL-02-1001	CARD GUIDE MOUNT	SHOP/VENDOR FAB
3	2	VMCGN-120-M3-LSWT-K	CARD GUIDE	RICHCO INC.
4	4	M 3.0 X 6 LG SHCS	SOCKET HEAD CAP SCREW (STAINLESS)	UNSPECIFIED VENDOR
5	4	M3 X 10 LG FHCS	FLAT HEAD CAP SCREW (STAINLESS)	UNSPECIFIED VENDOR

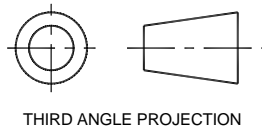


E
D
C
B
A

ZONE	REV	DESCRIPTION	BY	DATE	APV BY
REVISIONS					

APPROVED
REFERENCE
COPY

-1	0.23999136
ITEM	WEIGHT (Lbs)
CALCULATED WEIGHT	

MATERIAL :		<small>TOLERANCES UNLESS OTHERWISE NOTED</small> .XX ± .03 ANGULAR ± .5° .XXX ± .005		 THIRD ANGLE PROJECTION		NATIONAL OPTICAL ASTRONOMY OBSERVATORY <small>OPERATED BY THE ASSOCIATION OF UNIVERSITIES FOR RESEARCH IN ASTRONOMY UNDER COOPERATIVE AGREEMENT WITH NATIONAL SCIENCE FOUNDATION</small>	
DO NOT SCALE DRAWING		NAME		USED ON		<i>TORRENT</i>	
NEXT ASSEMBLY		AFE EXTENDER BOARD ASSY		DWG SIZE		REV	
TRNT-EL-02-0001				D		OD	
SCALE: 1:1		DESIGNED BY:		CHECKED BY:		DRAWING NUMBER	
DWG PRODUCED USING		DRAWN BY:		APPROVED BY:		TRNT-EL-02-0026	
SOLIDWORKS		S. RATH				RELEASE DATE:	
						SHEET: 1 OF 1	

17

16

15

14

13

12

11