



## NATIONAL OPTICAL ASTRONOMY OBSERVATORY

950 N. Cherry Ave.  
P. O. Box 26732  
Tucson, Arizona 85726-6732  
(520) 318-8000  
FAX: (520) 318-8303

### TORRENT KIT PARTS LIST

#### LOCAL CONTROL BOARD MOUNTING KIT

**Dwg No.: TRNT-EL-02-0017 Rev: OD**

**Next Assembly: TRNT-EL-02-0018**

**Applicable Drawings: TRNT-EL-02-0002**

**TRNT-EL-02-0008**

**TRNT-EL-02-0009**

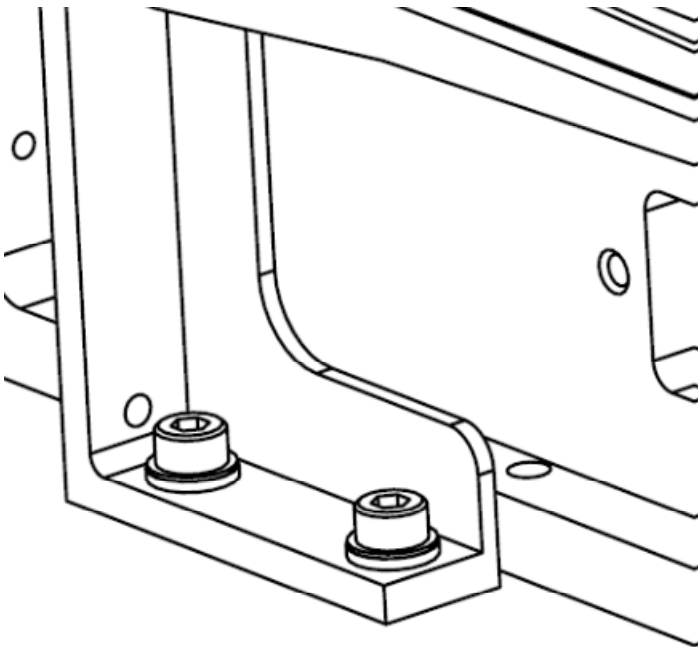
**TRNT-EL-02-0010**

LTR	DESCRIPTION	ECR	DATE	BY	APPRVD
OD	INITIAL RELEASE		7-Jul-11	DMS	

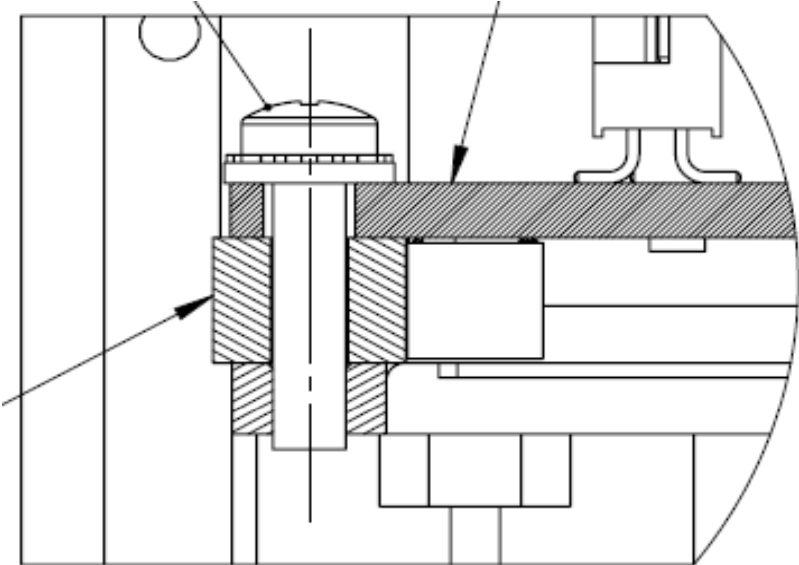
ITEM	QTY	BinLoc	SEE NOTE	Part Number	MFR	Description
1	2					Plastic bag 2" x 3" or 3x3 size
2	1					Plastic bag 6" x 6" size
3	REF			TRNT-EL-02-0008		Controller Module Chassis Assembly
4	REF			TRNT-EL-02-0009		Controller Module PCB Mount Rear
5	REF			TRNT-EL-02-0010		Controller Module PCB Mount Front
6	REF			TRNT-EL-02-0002		Controller Assembly
7						

**NOTES:**

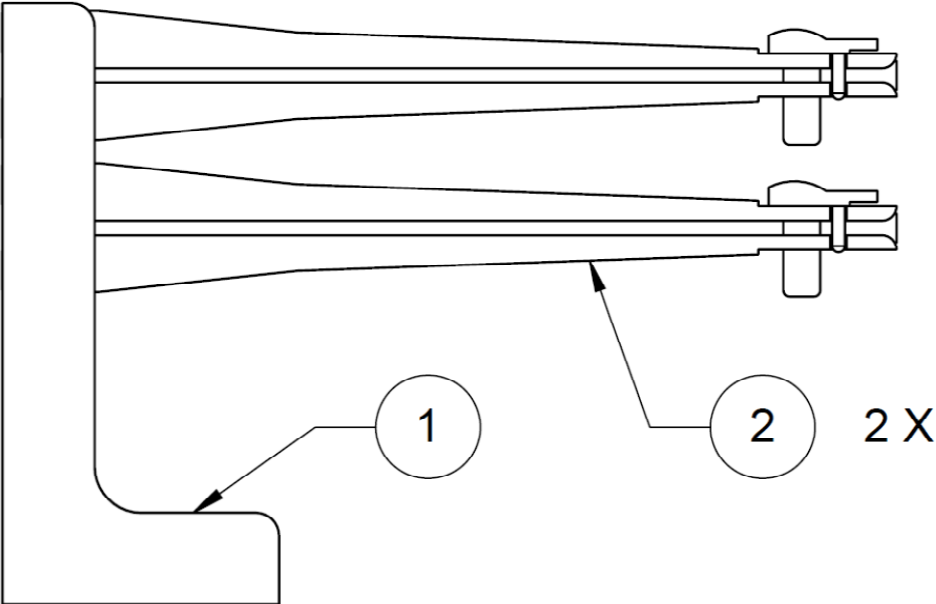
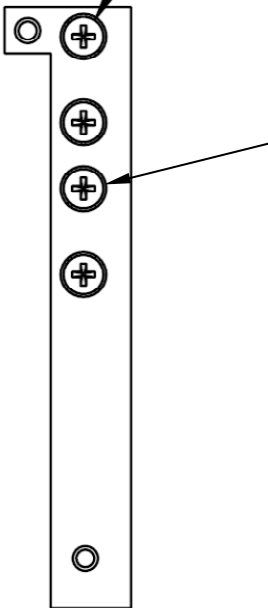
- Reference Drawings: TRNT-EL-02-0009, TRNT-EL-02-0010, TRNT-EL-02-0002, TRNT-EL-02-0002 Controller Assembly and TRNT-EL-02-0008 Controller Module Chassis Assembly, all items shown on assemblies may not be part of this kit.
- Bag sizes are specified as minimum size necessary.
- Place all fastening and spacing hardware for both PCB Mount Support rails, card guides and LCB mounting into one of the small bags. Place Front Support Rail TRNT-EL-02-1017 in the other small bag to prevent parts from marking each other.
- Place card guides in the bottom of the 6x6 bag, place mouting rails in bag, put small bag of hardware in bag with guides and rails. Label bag with kit part number, place kit into inventory proper kit location.
- See graphic and photos on following pages. (graphics are just for reference)



Front and Rear PCB Mount Bracket



LCB BOARD MOUNTING DETAIL  
4 PLACES



Front and Rear Bracket assemblies



CONTENTS OF KIT



FINISHED KIT