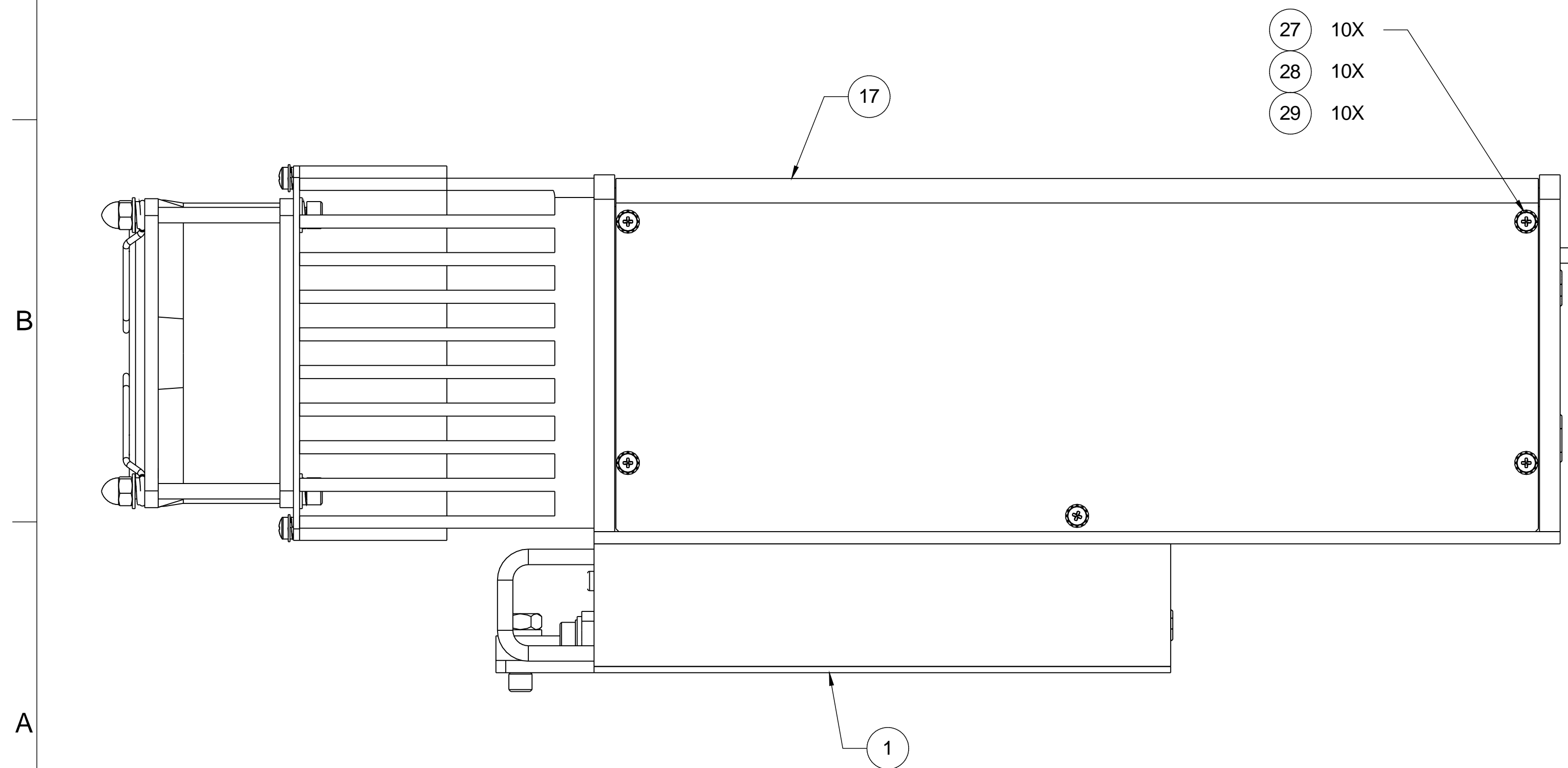
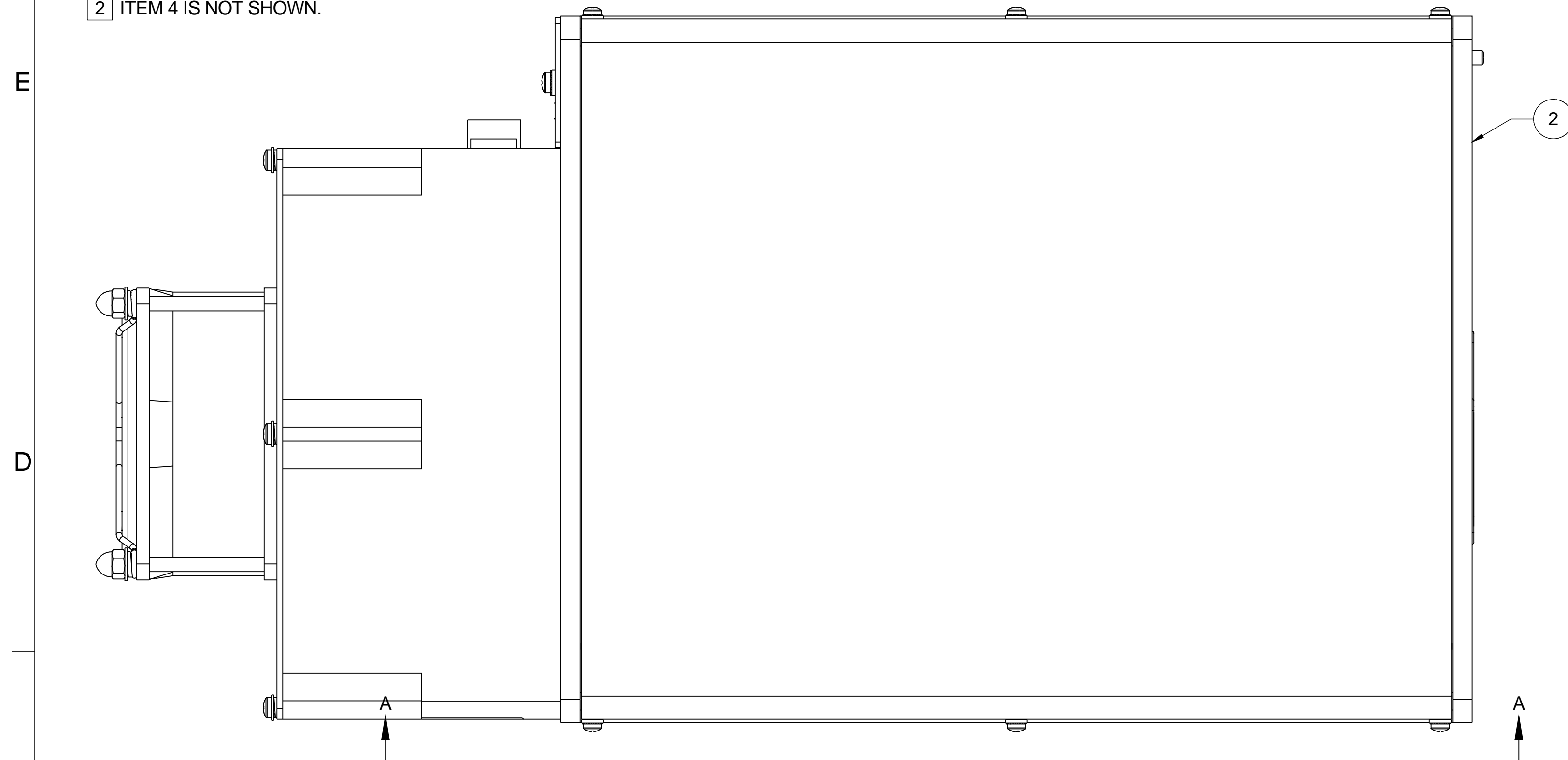


NOTES UNLESS OTHERWISE SPECIFIED:

- 1 MOUNT ITEM 3 (SWITCH) TO DIMENSION SHOWN.
- 2 ITEM 4 IS NOT SHOWN.



ZONE	REV	DESCRIPTION	BY	DATE	APV BY
	B	CHG ITEM 3 FROM 8531MZQE2 SWITCH C&K COMPONENTS; ADD ITEM 4; REMOVE ITEMS 9,12,16,21 & 22; CHG QTY ON ITEM 18 FROM 6 TO 7; CHG QTY ON ITEM 19 & 20 FROM 25 TO 23; CHG QTY ITEM 24 FROM 2 TO 4; REMOVE TABLE 1; CHG ITEM 18 BALLOON TO 24 ON SECTION D-D SHT2; CHG ITEM 25 BALLOON TO 18 ON SECTION E-E SHT 2; UPDATE DWG VIEWS & NOTES AS REQ.	MDK	1/26/2012	
	A	ITEM 7 WAS TRNT-EL-02-1012, ITEM 23 WAS 10 MM L, ITEM 25 WAS 5 MM L, ADDED SWITCH LOCATING DIMENSION AND NOTE 1, DELETED ITEMS 4 & 5, ADDED TABLE 1	JD	1/14/2011	
	-	INITIAL RELEASE	JD	7/23/2010	
REVISIONS					

ITEM NO.	QUANTITY	MANUFACTURER	PART NO.	DESCRIPTION
1	1		TRNT-EL-02-0004	POWER SUPPLY MODULE (PSM)
2	1		TRNT-EL-02-0008	CONTROLLER MODULE CHASSIS
3	1		TRNT-EL-12-0017	TSM PRESENT SWITCH ASSEMBLY
4	1	QUALTEK	07190-SP072	6' FAN POWER CORD
5				
6	4	RAF	1154T-6-N	CONTROLLER SUPPORT RAIL SPACER
7	1		TRNT-EL-02-0012	LOCAL CONTROL BOARD (LCB) ASSEMBLY
8	2		TRNT-EL-02-1019	CONTROLLER EMI PLATE
9				
10	1		TRNT-EL-04-0003	LCB MEZZANINE BOARD
11	1		TRNT-EL-02-0011	ETHERNET BOARD ASSEMBLY
12				
13	1		TRNT-EL-04-0006	CLOCK & BIAS FLEX
14	1		TRNT-EL-04-0005	VIDEO FLEX
15	2		TRNT-EL-04-0004	ANALOG FRONT END (AFE) BOARD
16				
17	1		TRNT-EL-02-1008	CONTROLLER COVER
18	7			SCREW, PAN HD, M3 X 8 MM L, CRES
19	17			WASHER, LOCK, M3, CRES
20	17			WASHER, FLAT, M3, REDUCED OD, CRES
21				
22				
23	6			SCREW, SHC, M3 X 8 MM L, CRES
24	4			SCREW, PAN HD, M3 X 5 MM L, CRES
25				
26	4			SCREW, PAN HD, M3 X 12 MM L, CRES
27	10			SCREW, PAN HD, M2.5 X 5 MML, CRES
28	10			WASHER, LOCK, M2.5, CRES
29	10			WASHER, FLAT, M2.5, REDUCED OD, CRES

MATERIAL :  
TOLERANCES UNLESS OTHERWISE NOTED  
XX ± 0.3  
XXX ± 0.10  
ANGULAR ± 5°  
THIRD ANGLE PROJECTION

NATIONAL SOLAR OBSERVATORY  
OPERATED BY THE  
ASSOCIATION OF UNIVERSITIES FOR RESEARCH IN ASTRONOMY  
UNDER COOPERATIVE AGREEMENT WITH  
NATIONAL SCIENCE FOUNDATION

DO NOT SCALE DRAWING  
NEXT ASSEMBLY  
TRNT-EL-02-0001

NAME  
**CONTROLLER ASSEMBLY**

USED ON  
**TORRENT**

DWG SIZE  
**D**

REV  
**B**

SCALE: 1:1  
DWG PRODUCED USING  
SOLIDWORKS 2010

DESIGNED BY:  
DeVRIES / RATH

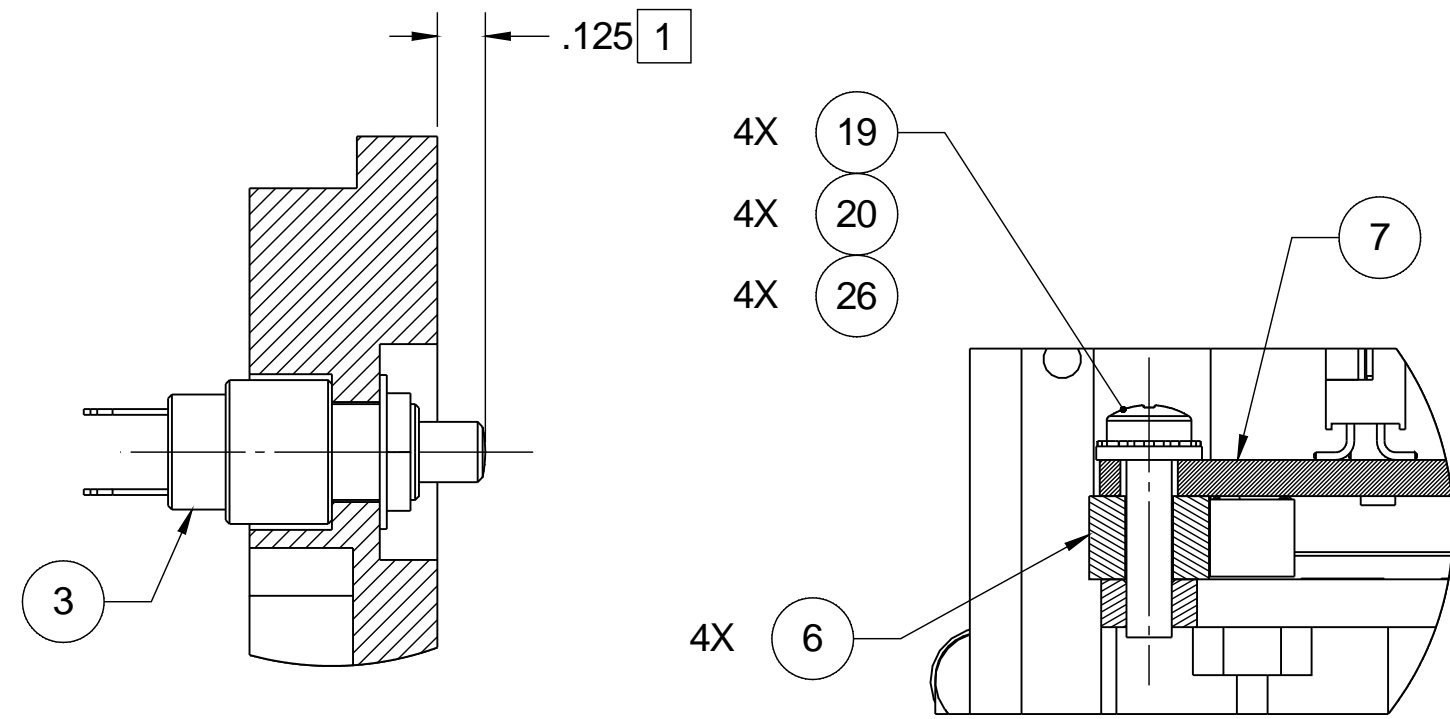
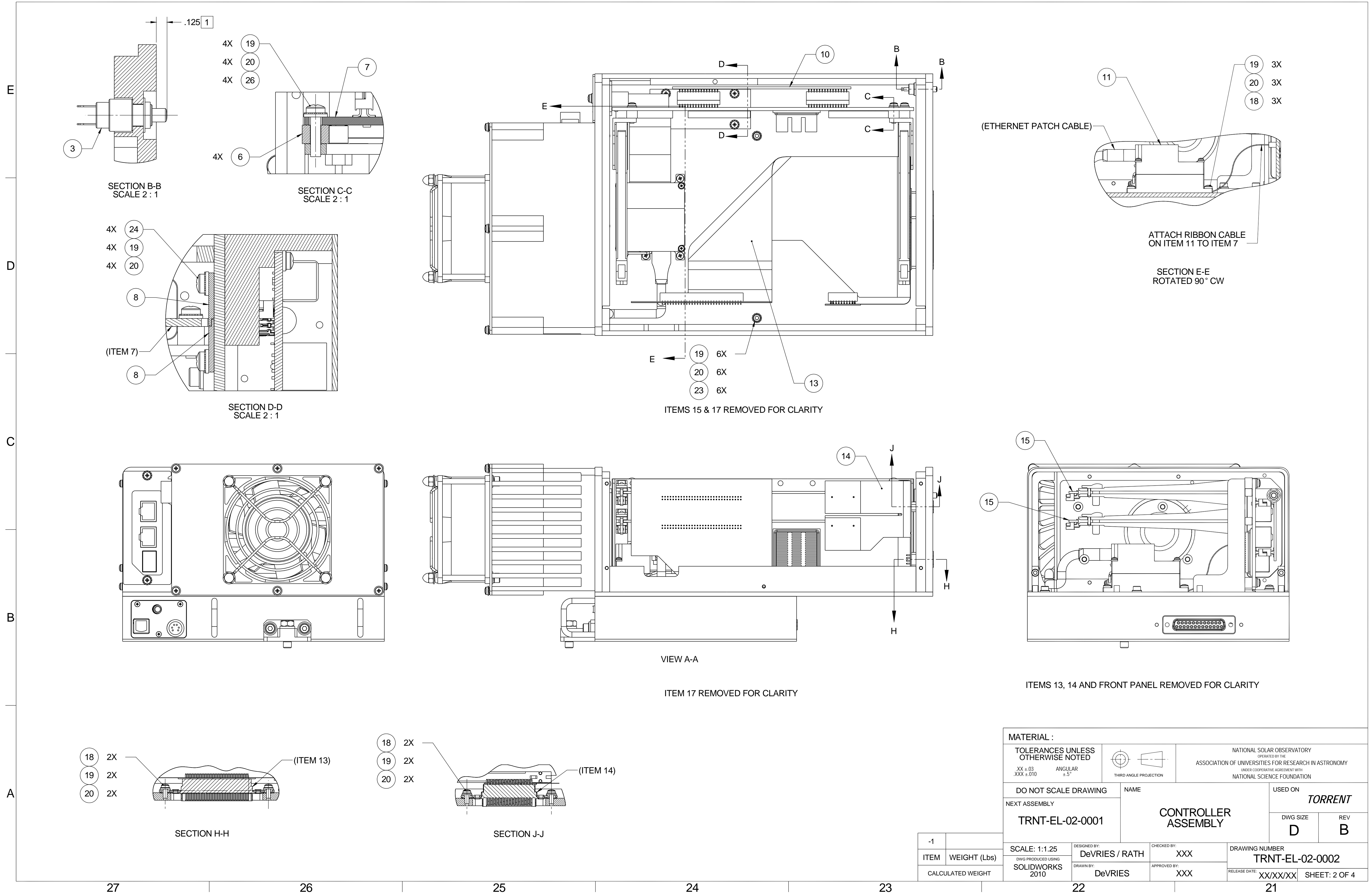
CHECKED BY:  
XXX

DRAWING NUMBER  
TRNT-EL-02-0002

APPROVED BY:  
DeVRIES

RELEASE DATE: XX/XX/XX

SHEET: 1 OF 4



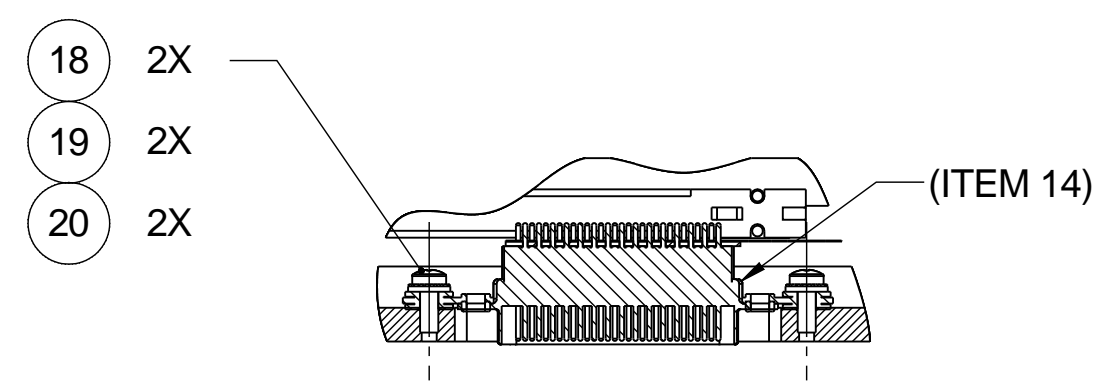
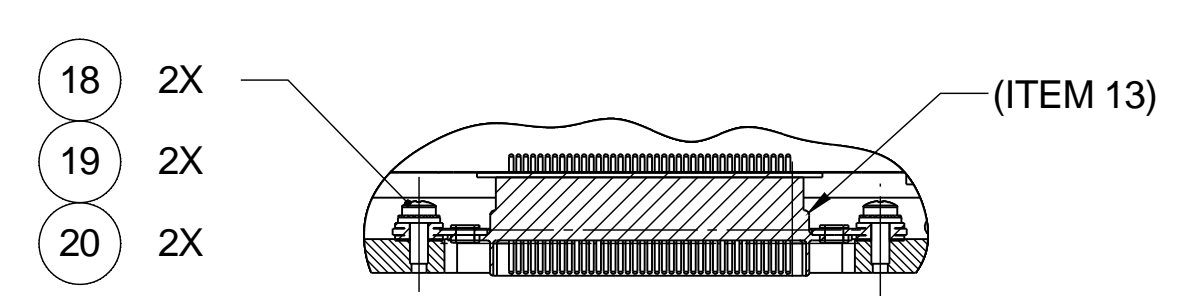
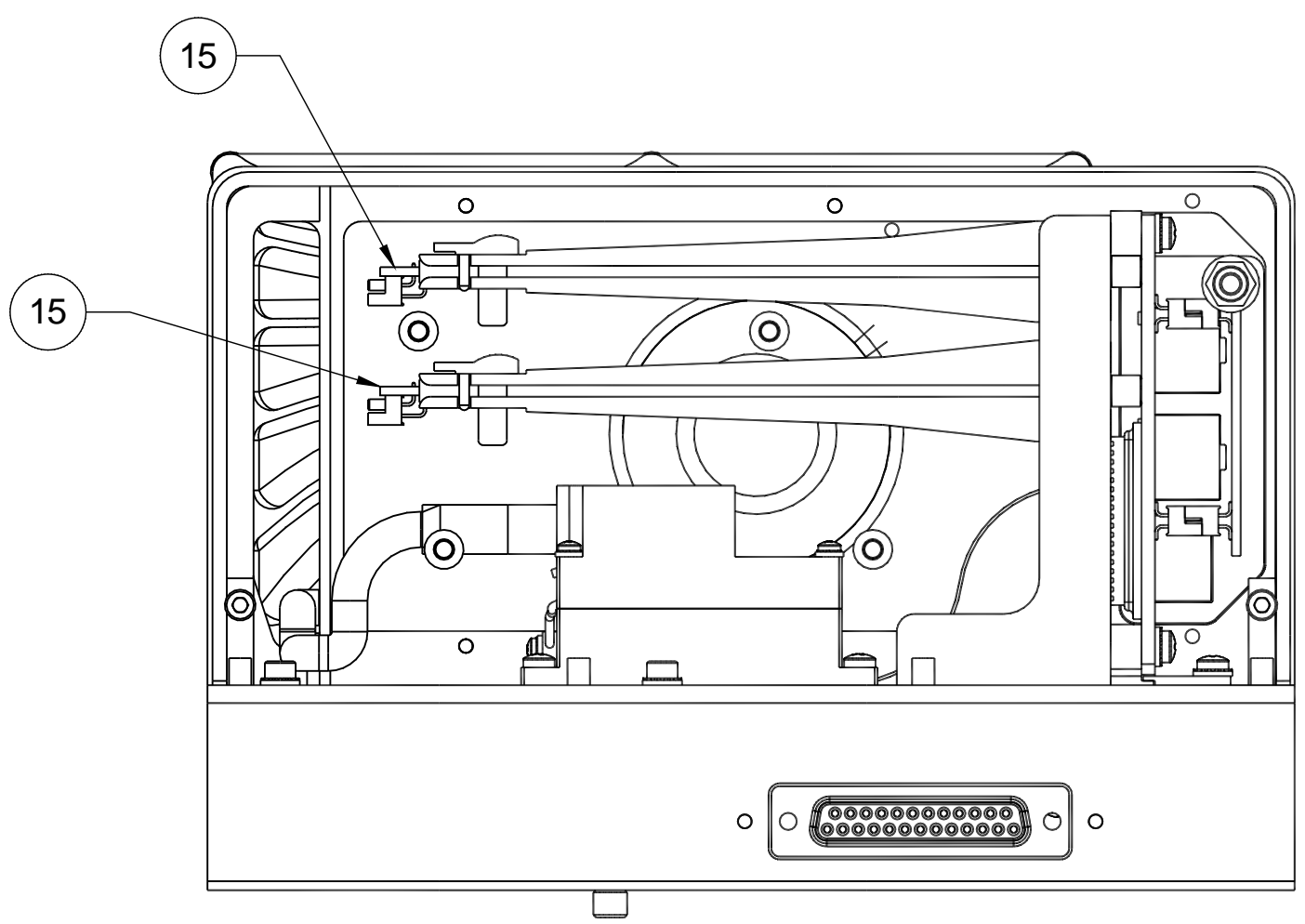
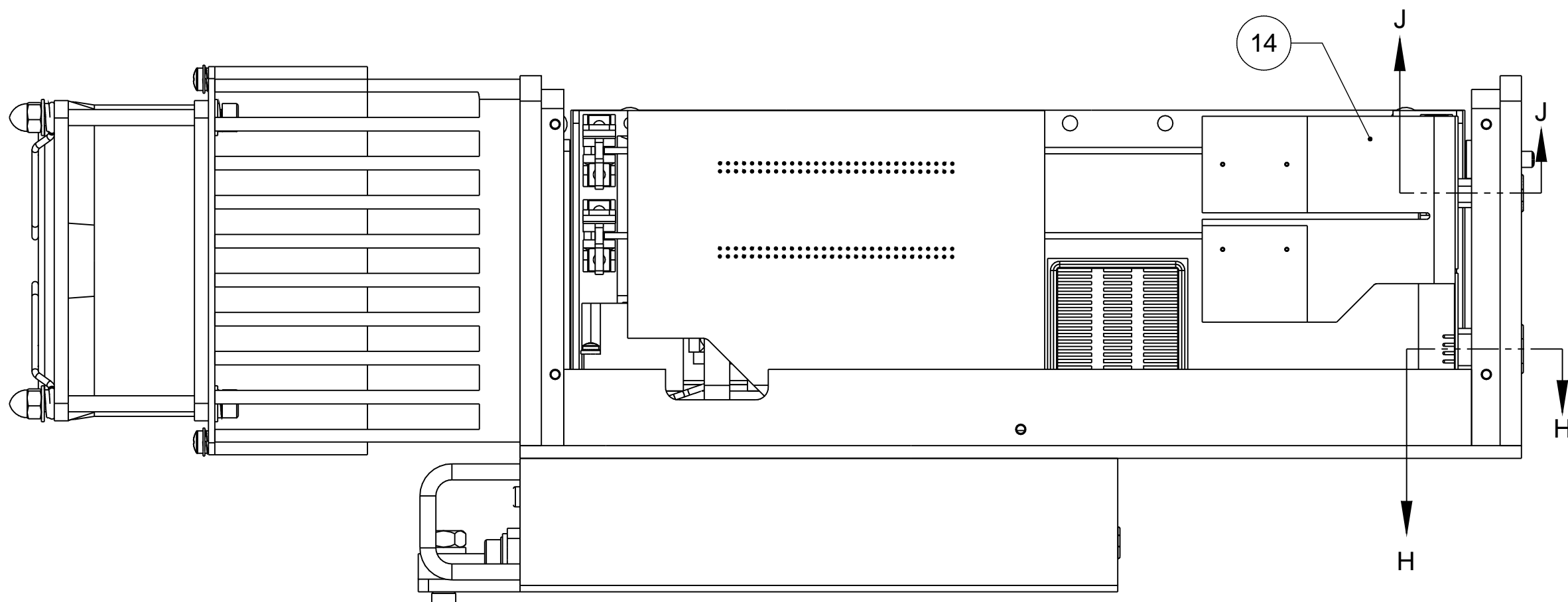
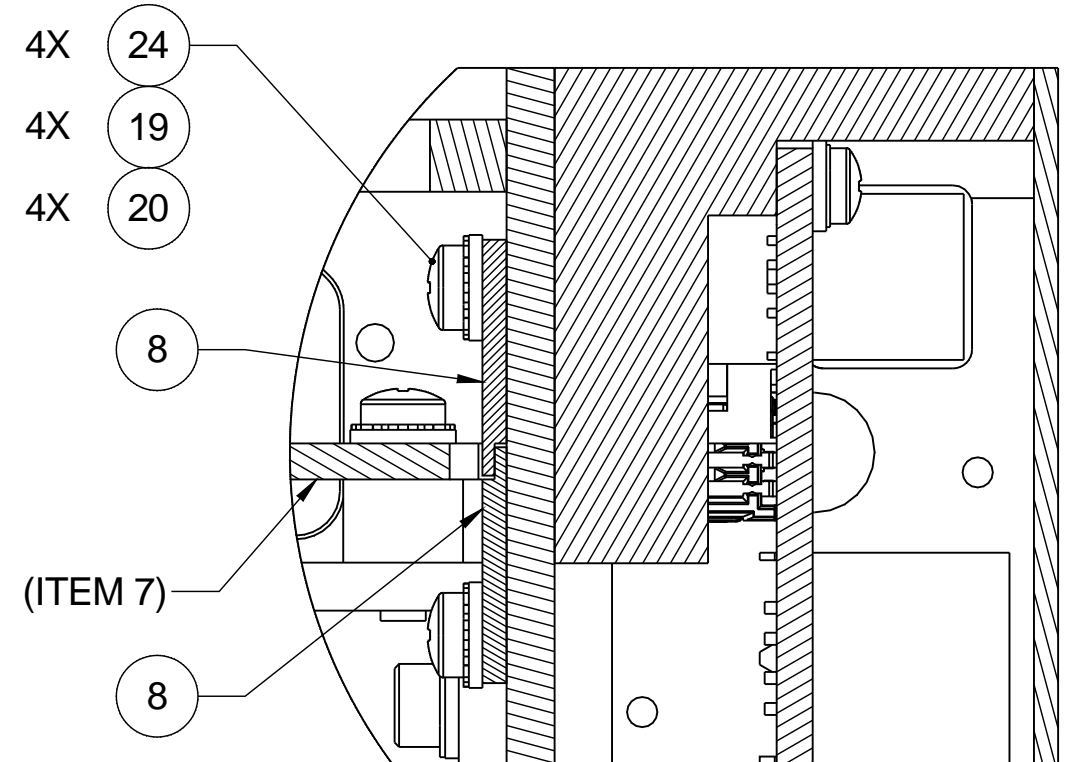
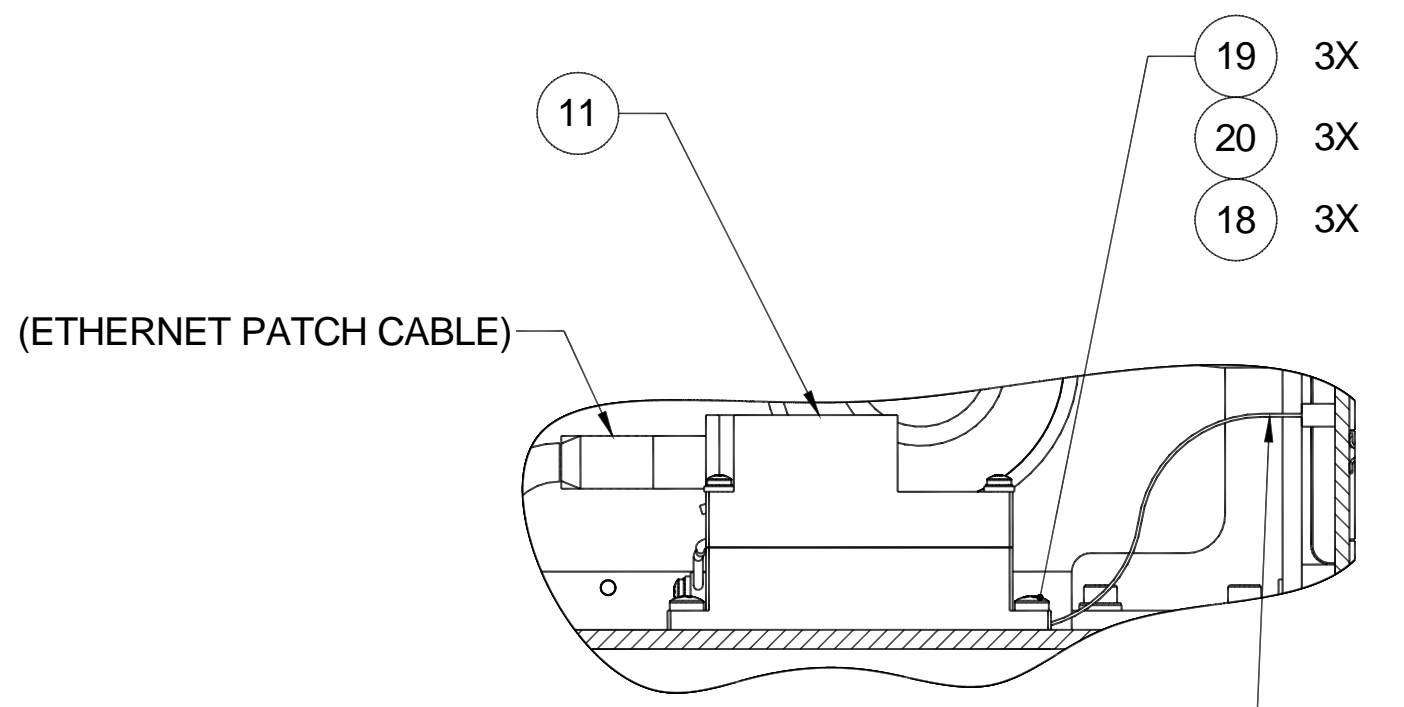
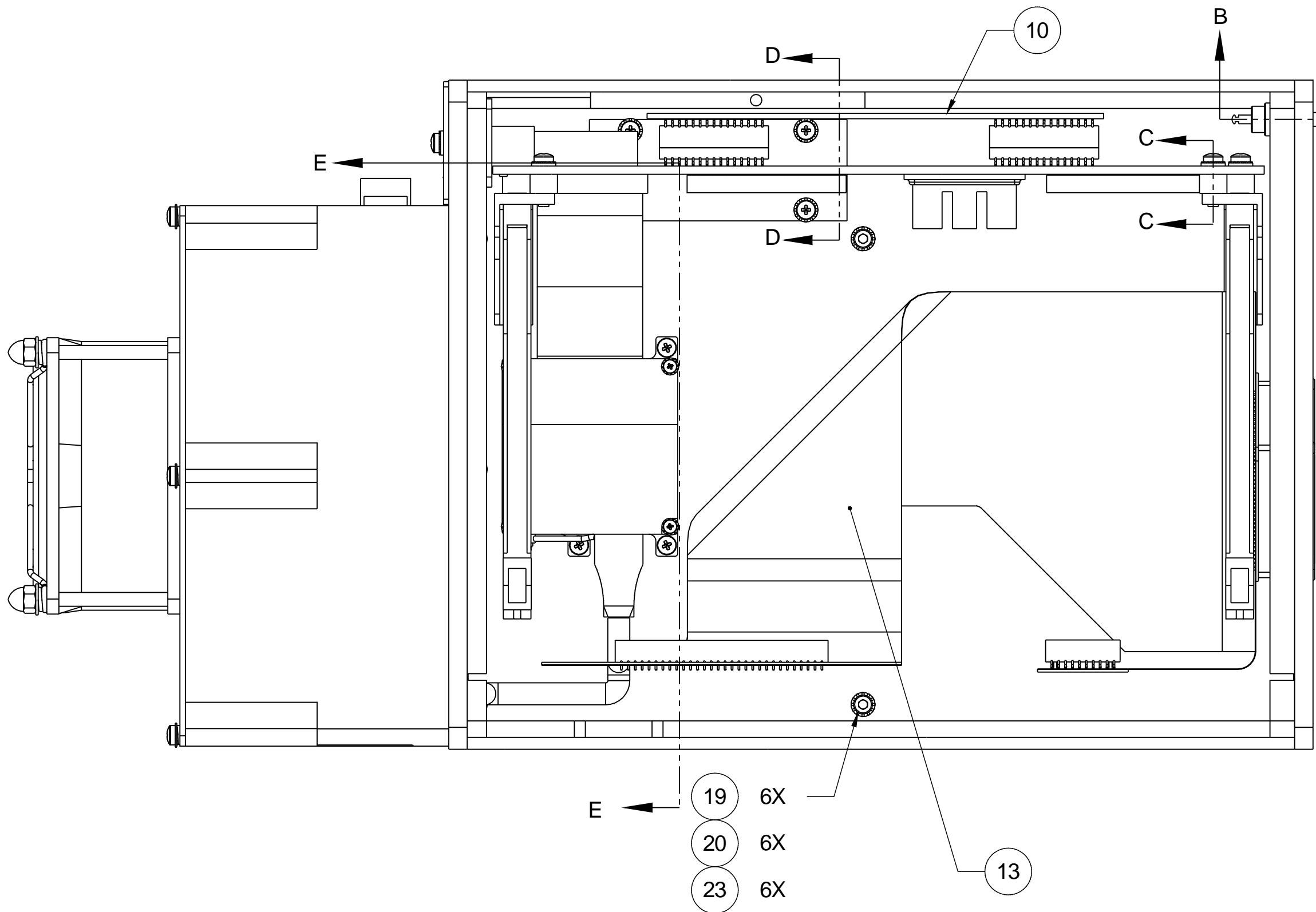
E

D

C

B

A



27

26

25

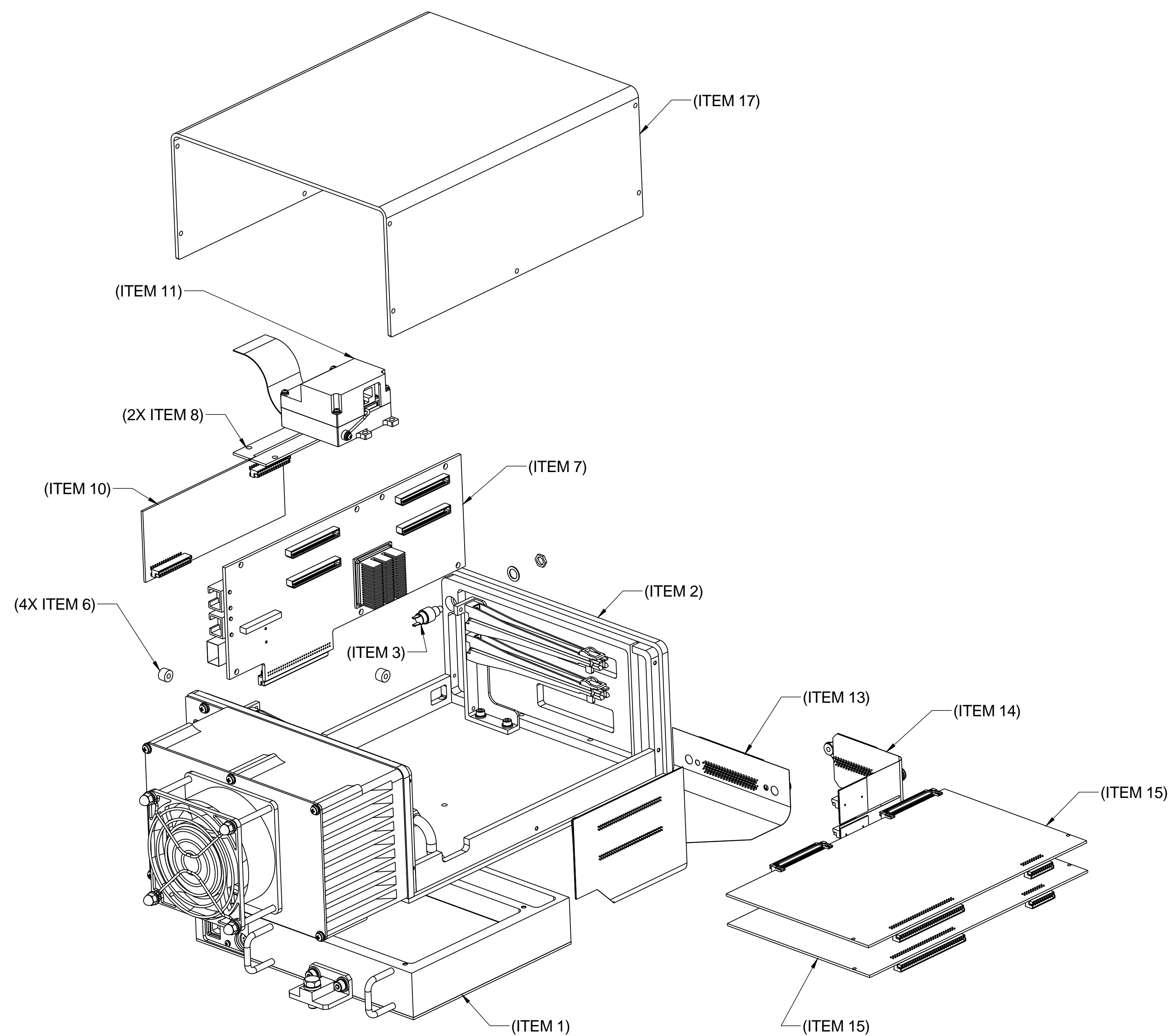
24

23

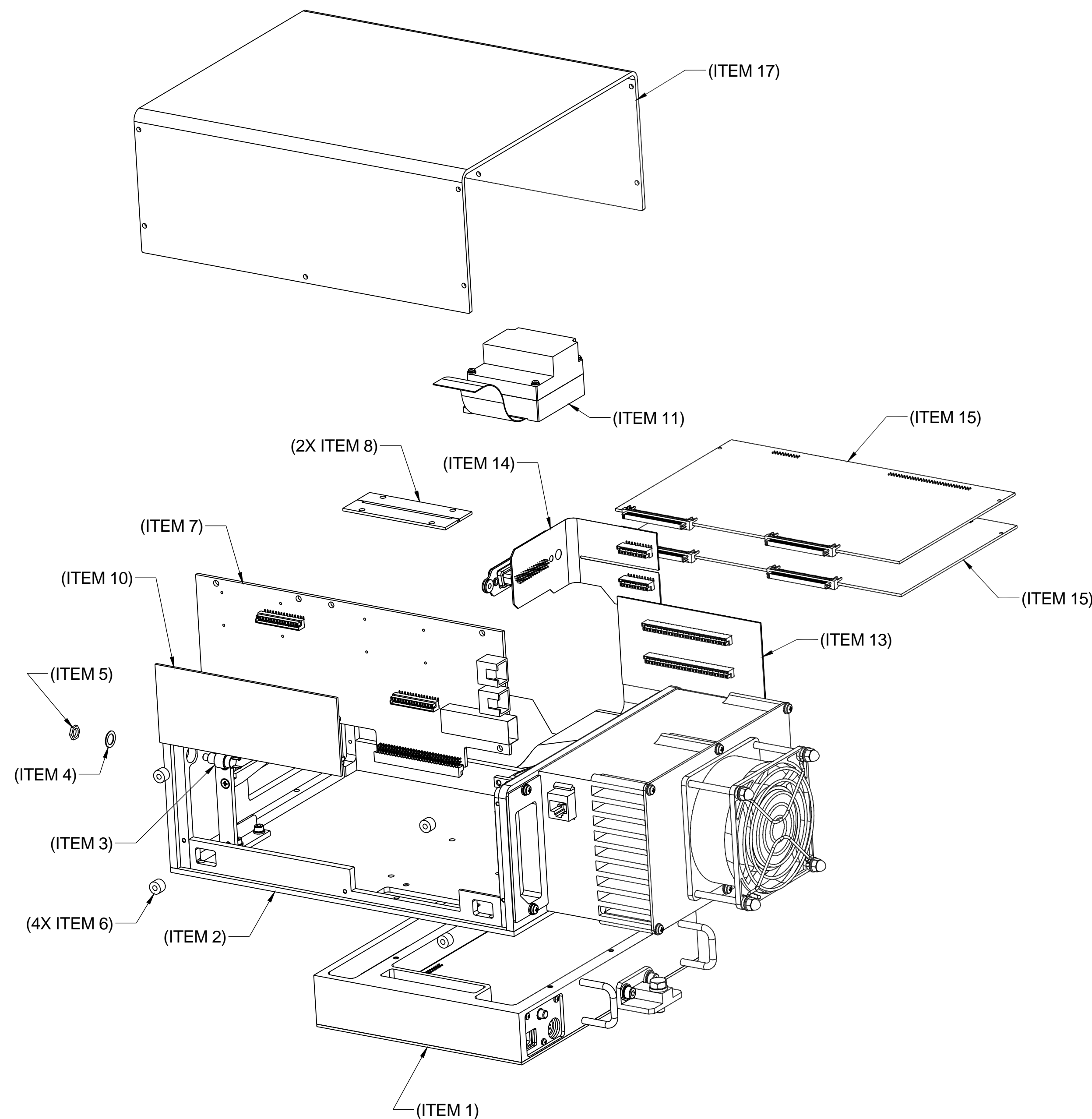
22

21

E  
D  
C  
B  
A



REFERENCE VIEW ONLY  
ITEMS 18 THROUGH 29 NOT SHOWN



REFERENCE VIEW ONLY  
ITEMS 18 THROUGH 29 NOT SHOWN

-1	
ITEM	WEIGHT (Lbs)
CALCULATED WEIGHT	

MATERIAL :		TOLERANCES UNLESS OTHERWISE NOTED XX ± 0.3 XXX ± 0.10		ANGULAR ± 5°		THIRD ANGLE PROJECTION		NATIONAL SOLAR OBSERVATORY OPERATED BY THE ASSOCIATION OF UNIVERSITIES FOR RESEARCH IN ASTRONOMY UNDER COOPERATIVE AGREEMENT WITH NATIONAL SCIENCE FOUNDATION	
DO NOT SCALE DRAWING		NAME		USED ON		TORRENT			
NEXT ASSEMBLY		CONTROLLER ASSEMBLY		DWG SIZE		REV			
TRNT-EL-02-0001				D		B			
SCALE: 1:2		DESIGNED BY: DeVRIES / RATH		CHECKED BY: XXX		DRAWING NUMBER		TRNT-EL-02-0002	
DWG PRODUCED USING SOLIDWORKS 2010		DRAWN BY: DeVRIES		APPROVED BY: XXX		RELEASE DATE: XX/XX/XX		SHEET: 3 OF 4	

37

36

35

34

33

32

31

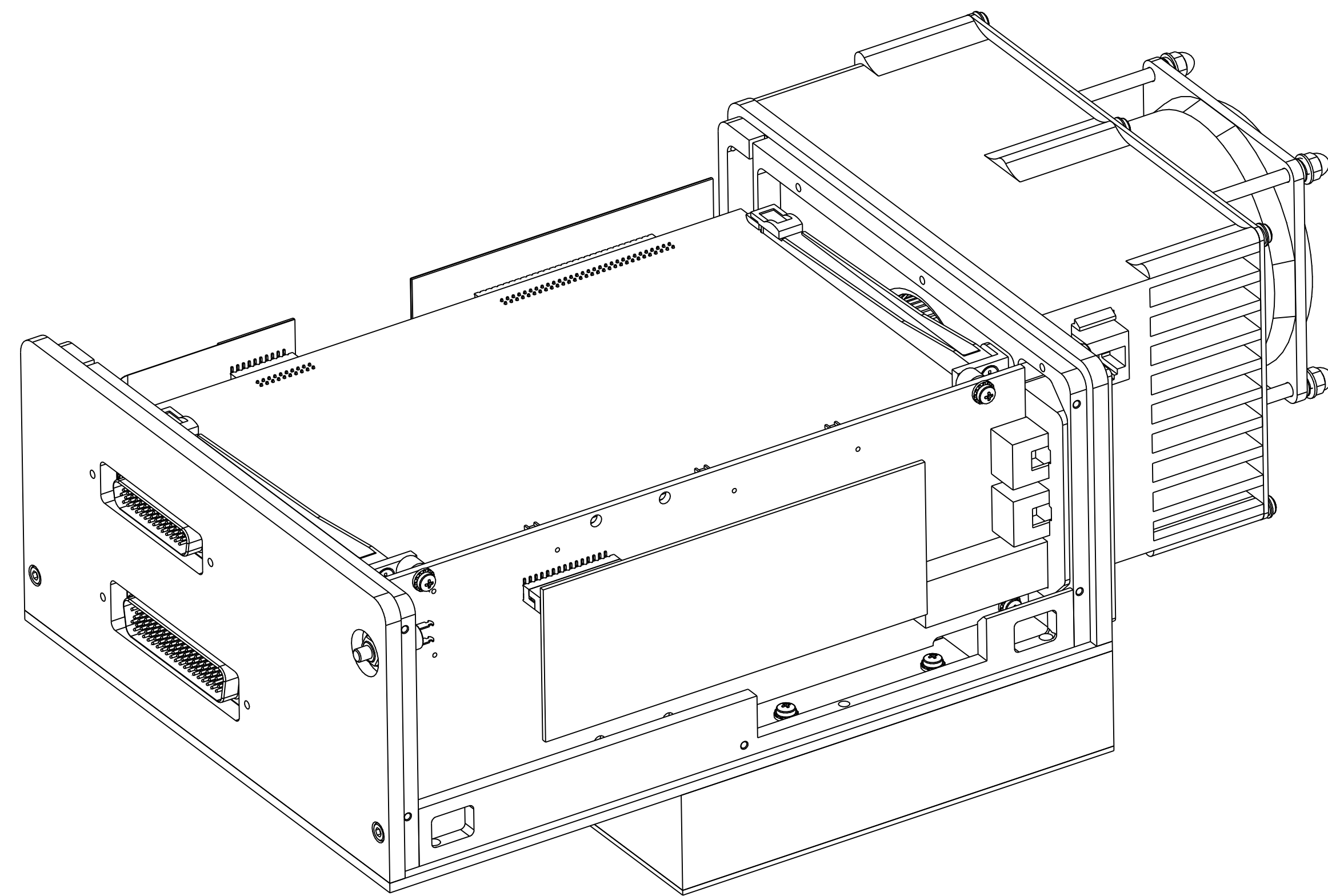
E

D

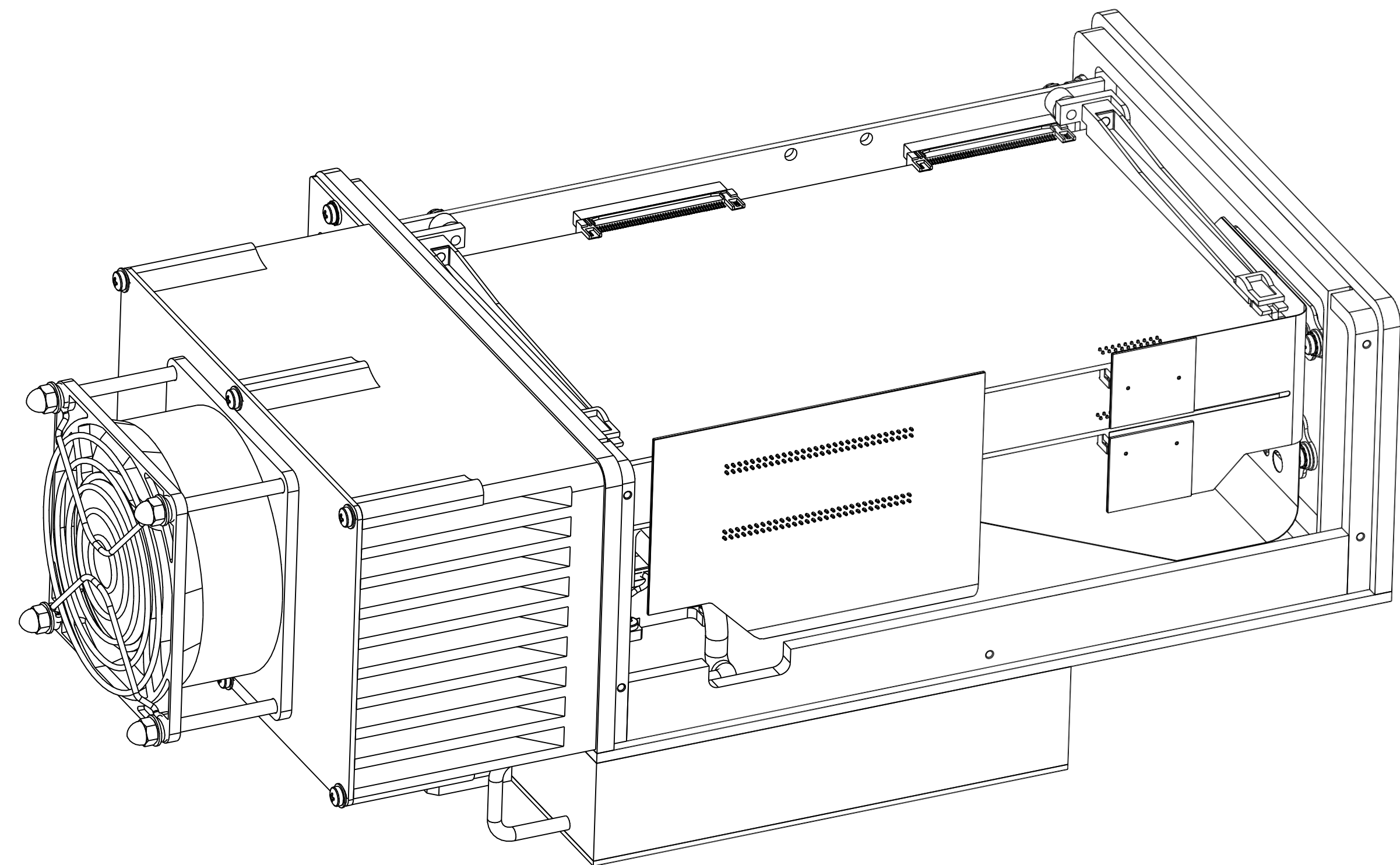
C

B

A



REFERENCE VIEW ONLY  
ITEM 17 REMOVED FOR CLARITY



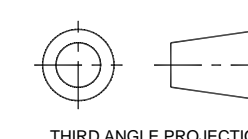
REFERENCE VIEW ONLY  
ITEM 17 REMOVED FOR CLARITY

MATERIAL :

TOLERANCES UNLESS OTHERWISE NOTED

.XX ± .03  
.XXX ± .010

ANGULAR  
± .5°



THIRD ANGLE PROJECTION

NATIONAL SOLAR OBSERVATORY  
OPERATED BY THE  
ASSOCIATION OF UNIVERSITIES FOR RESEARCH IN ASTRONOMY  
UNDER COOPERATIVE AGREEMENT WITH  
NATIONAL SCIENCE FOUNDATION

DO NOT SCALE DRAWING

NAME

USED ON

**TORRENT**

NEXT ASSEMBLY  
**TRNT-EL-02-0001**

**CONTROLLER ASSEMBLY**

DWG SIZE

REV

**D**

**B**

SCALE: 1:1.25

DESIGNED BY:  
**DeVRIES / RATH**

CHECKED BY:  
**XXX**

DRAWING NUMBER

**TRNT-EL-02-0002**

DWG PRODUCED USING  
**SOLIDWORKS 2010**

DRAWN BY:  
**DeVRIES**

APPROVED BY:  
**XXX**

RELEASE DATE: **XX/XX/XX**

SHEET: 4 OF 4

-1	
ITEM	WEIGHT (Lbs)
CALCULATED WEIGHT	

47

46

45

44

43

42

41